

IMCOS-5253 Wall loudspeaker



Product description

IMCOS-5253 is a loudspeaker for wall and ceiling installations.

Compact solution for professional use with good sound quality.

Type approved by marine class societies: ABS, BV, CCS, DNV, GL, LR, RINA.

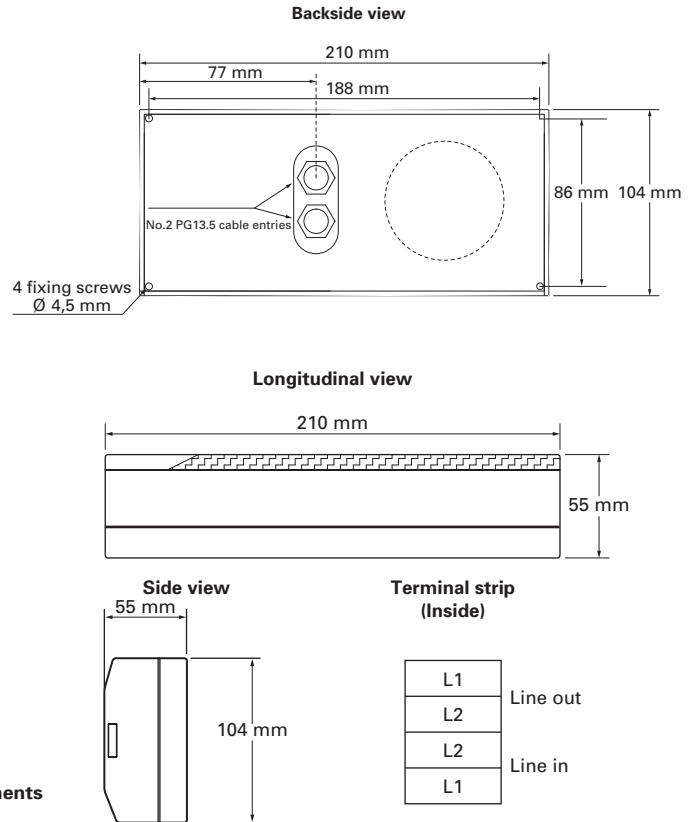
Features

- ABS enclosure
- 10 watt rated power
- 100V line transformer/8 Ohm options
- Six different tap levels
- Self-resetting fuse to keep the audio line working in case of short circuit
- Ingress Protection IP56
- White Colour RAL 9010
- Talk back button available as an option (IMCOS-5253-TB)

Specification

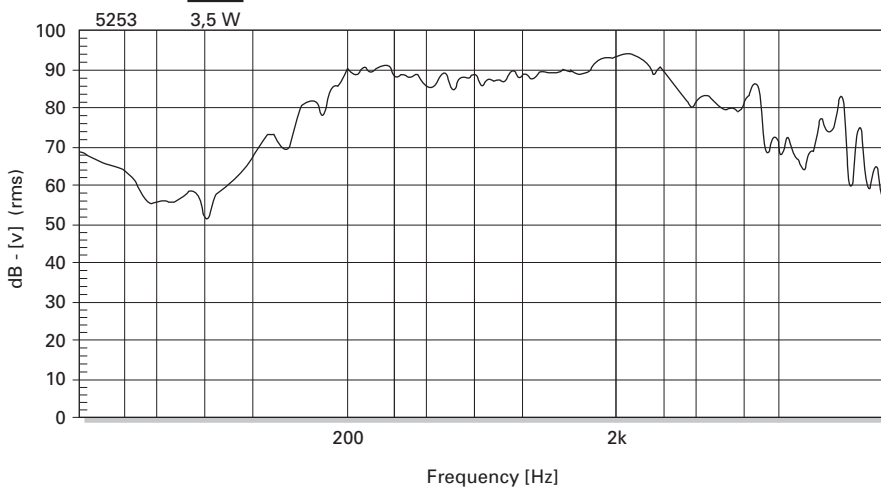
Material	ABS - White colour RAL 9010	
Mounting	4 Screws to wall or ceiling	
Cable glands	2 x PG 13,5	
Ingress protection	IP 22	
Weight without/with transformer	0,5 / 0,8 Kg	
Nominal/Max. power	10 / 15 W	
Max/min temperature	+70/-25 °C	
Effective frequency range	150-20000 Hz	
SPL (1W/1m)	88 dB	
Dispersion (-6 dB) 1000/4000 Hz	140/100 Degrees	
Impedance on request	100 V transformer / 8 Ohm, complete with internal fuse	
Nominal tapping (secondary coil)	1 : 4 = 10,0 W 1 : 3 = 5,0 W 2 : 4 = 3,5 W (Factory default value) 1 : 2 = 2,5 W 3 : 4 = 1,5 W 2 : 3 = 0,8 W	
Test certifications	Dry heat cycle	EN 60068-2-2
	Damp heat cycle	EN 60068-2-30
	Cold test	EN 60068-2-1
	Enclosure protection	EN 60529
	Sinusoidal vibration	EN 60068-2-6
	Safety	EN 60065-1

IMCOS-5253 Dimensions & fixing



IMCOS-5253 Dimensions & fixing

Fundamental + Harmonic distortion components
Signal at IN2



Ordering requirements

The following code is designed to help in selection of the correct unit. Build up the referencenumber by inserting the code for each component into the appropriate box.

Model

IMCOS-5253-x

Options

x

Entries	Code
Standard	
Talk back button	TB

All specifications, dimensions, weights and tolerances are nominal (typical) and Gitiessse reserve the right to vary all data without prior notice. No liability is accepted for any consequence of use.

IMCOS™ System is type approved by seven marine class societies.