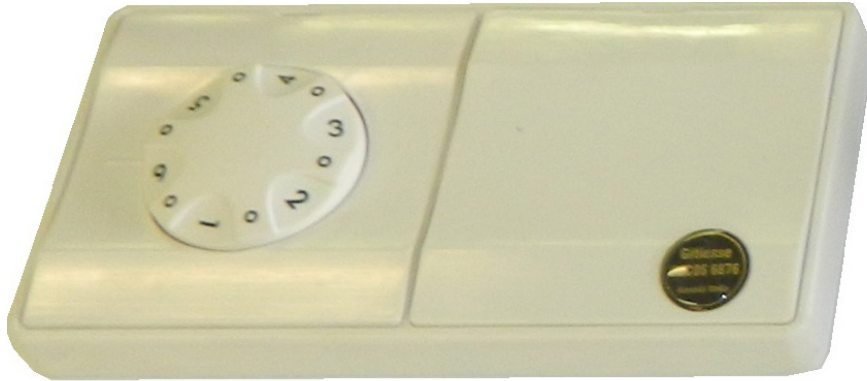


IMCOS-6876 Remote volume control up to 100 watt



Product description

IMCOS-6876 is a remote volume control, suitable for loudspeakers in 100 V line, up to 100 W.

Features

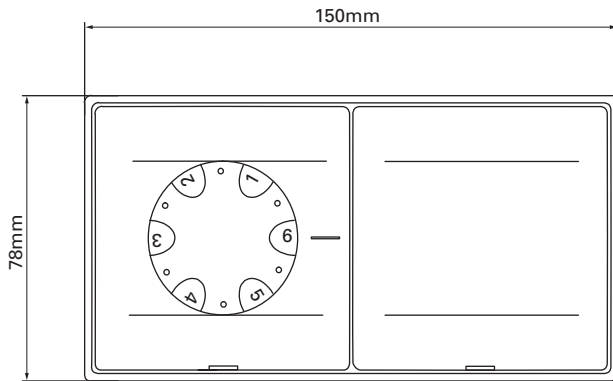
- ABS. White colour RAL9010
- Up to 100 watt regulated power
- Security paging function to by-pass volume control during emergency announcement or alarm

Specification

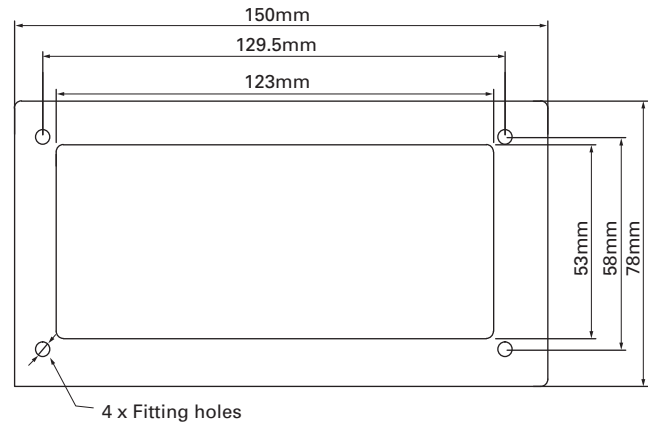
| | |
|--------------------|-----------------------------------|
| Material | ABS, White colour RAL9010 |
| Mounting | Flush mounting |
| Cable connection | Terminal strips fixed on the back |
| Weight | 140 g |
| Regulated power | Up to 100 W |
| Input/output line | 100 V/ 100 V |
| Volume control | Regulated in steps |
| Ingress protection | IP 20 (front side) |

IMCOS-6876 Dimensions & fixing

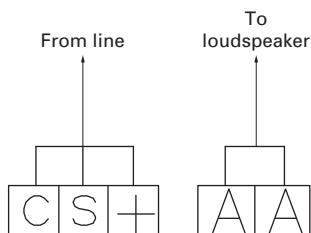
Front view



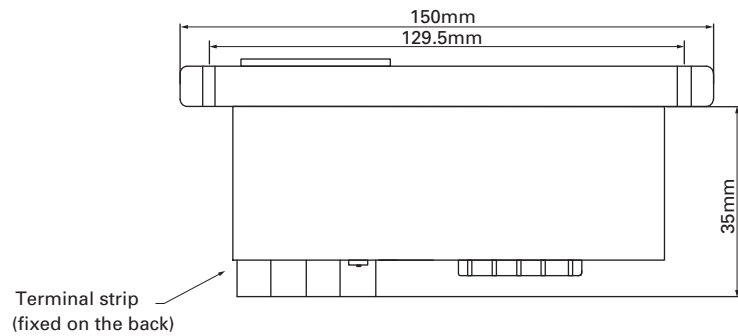
Fixing & cut out details



Terminal strip



Side view & depth detail



Ordering requirements

The following code is designed to help in selection of the correct unit. Build up the reference number by inserting the code for each component into the appropriate box.

Model

IMCOS-6876

All specifications, dimensions, weights and tolerances are nominal (typical) and Gitiessse reserve the right to vary all data without prior notice. No liability is accepted for any consequence of use.

IMCOS™ System is type approved by seven marine class societies.