

## IMCOS-6899 Toilet alarm loudspeaker



### Product description

IMCOS-6899 is a flush mount loudspeaker, designed to be fitted in a toilet.

Shallow profile, ideal for tight wall or ceiling spaces.

Type approved by marine class societies: ABS, BV, CCS, DNV, GL, LR, RINA.

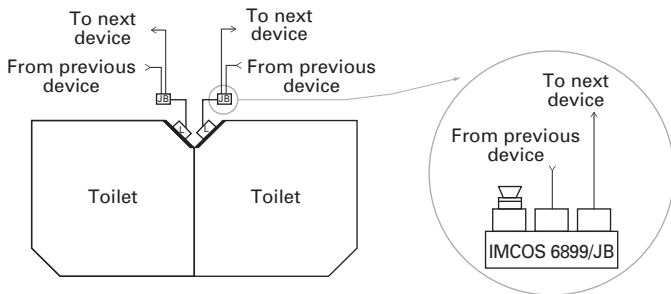
### Features

- Self extinguishing ABS material
- 1,5 watt maximum power
- Self-resetting fuse to keep audio line working in case of short circuit
- Colour RAL 9010
- IMCOS-6899-JB junction box accessory available for parallel mounting of multiple loudspeakers (not included)

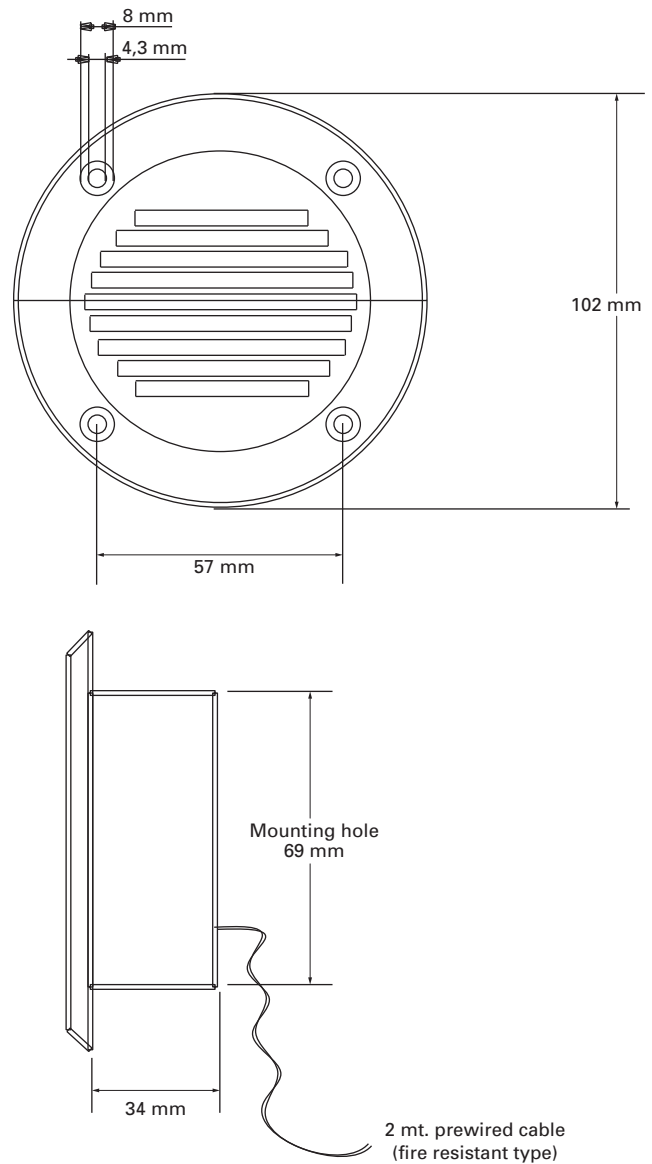
## Specification

Material	Self extinguishing ABS - colour RAL 9010	
Mounting	4 screws (flush mounting) IMCOS 6899/JB junction box for multiple loudspeakers parallel mounting not included	
Terminal	2 m. prewired cable (flame retardant)	
Ingress protection	IP 55	
Weight	350 g	
Power	1,5 W	
Max/min temperature	+70/-25 °C	
Effective frequency range	150-16000 Hz (@-15 dB)	
SPL 1m	92 dB	
Impedance	100 V transformer completed with internal self-resetting fuse	
Test certifications	Dry heat cycle	EN 60068-2-2
	Damp heat cycle	EN 60068-2-30
	Cold test	EN 60068-2-1
	Enclosure protection	EN 60529
	Sinusoidal vibration	EN 60068-2-6
	Safety	EN 60065-1

## IMCOS-6899 Installation details



## IMCOS-6899 Dimensions & fixing



## Ordering requirements

The following code is designed to help in selection of the correct unit. Build up the reference number by inserting the code for each component into the appropriate box.

### Model

IMCOS-6899

### Accessories

IMCOS-6899-JB  
Junction box

All specifications, dimensions, weights and tolerances are nominal (typical) and Gitiessse reserve the right to vary all data without prior notice. No liability is accepted for any consequence of use.

IMCOS™ System is type approved by seven marine class societies.